

YS-RA 超致密性闭心式液压油缸

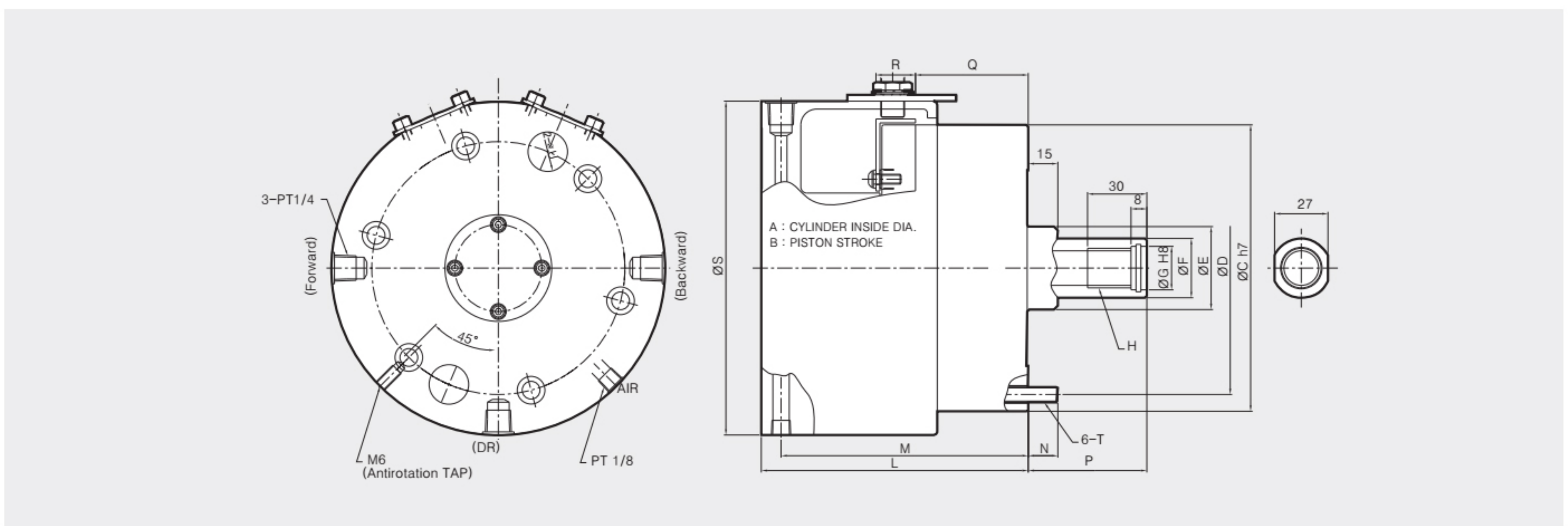
Ultra-Compact Closed-Center Hydraulic Cylinder with Proximity Bracket and Built-in Rotary Union



- Built-in rotary union saves space and allows air-sensing capabilities
- Includes proximity brackets

- 内置型旋转结构·节省空间·以实现气检功能
- 含接近支架

HYDRAULIC CYLINDER



Dimensions

	A	B	ΦC	ΦD	ΦE	ΦF	ΦG	H	J	K	L	M	N	Pmax.	Pmin.	Qmax.	Qmin.	R	ΦS	T	U
YS-11020RA	110	20	145	128	42	30	22	M20x2.5	30	15	135	125	14	60	40	77	57	20	169	M8x80	20
YS-12021RA	120	21	168	145	42	30	22	M20x2.5	30	15	135	125	17	60	39	78	57	20	192	M8x80	20

Specifications

Type	Piston Stroke 活塞行程 [mm]	Piston Surface Area 活塞表面积		Piston Force 活塞力		Max. Operating Pressure 最大工作压力 [MPa(kgf/cm ²)]	Max. r.p.m 最大转速 [min ⁻¹ (r.p.m)]	GD ² 容许工作惯性 [N·m ² (kgf·m ²)]	Weight 重量 [kgf]	Total leakage 总泄露 [l/(min)]	KITAGAWA® Model 北川型号
		Push [cm ²]	Pull [cm ²]	Push [kN(kgf)]	Pull [kN(kgf)]						
YS-11020RA	20	87.6	84	28(2855)	27(2753)	3.5(35.7)	6000	0.016	8.2	1.2	-
YS-12021RA	21	105.7	102	39(3977)	38(3875)	4.0(40.8)	6000	0.028	10.2	1.2	-
YS-13030RA	30	131.8	122.5	47(4793)	45(4589)	4.0(40.8)	6000	0.029	10.3	1.2	-